

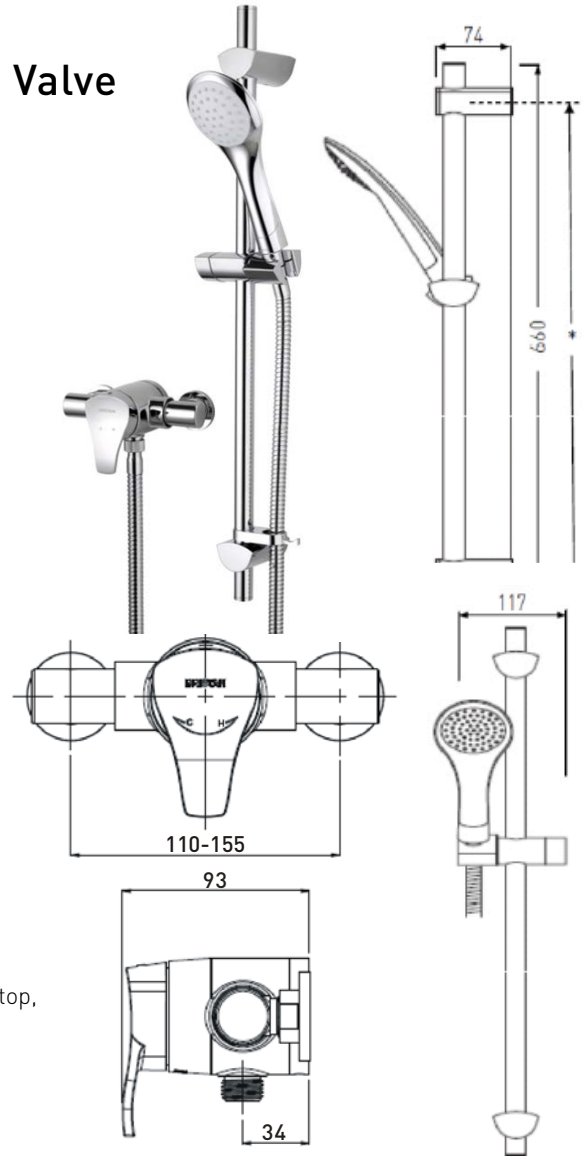
TECHNICAL DATA SHEET

CAPRI

Thermostatic Surface Mounted Shower Valve With Adjustable Riser

Product Specification

Product Code:	CAP2 SHXAR C
Finishes:	Chrome
Product Type:	Contemporary
Construction:	Body is of Brass Construction
Cartridge Type:	Thermostatic
Supply:	Suitable for all plumbing systems, preferably balanced
Inlet Connections:	15mm Compression Elbows
Outlet Connections:	G1/2"
Water Pressure:	Min 0.1 bar Max. 5.0 bar
Dimensions:	110-155mm inlet centres



Additional Information

- Single Lever Control – on/off and temperature are controlled by an easily operated single handle
- Thermostatic cartridge maintains showering temperature to +/- 1 degree
- Automatic shut-off in the event of hot or cold water supply failure, thus reducing the risk of injury
- Factory set to a maximum of 43oC to eliminate the ability to select on unsafe temperature. Can be adjusted to user preference.
- Supplied with 1.5m shower hose, riser rail, hose retainer and single function rub clean handset
- Uses swivel inlet elbows with 110-155mm centres. Valve can be fed from top, bottom or rear
- Chrome plated to BS EN 248

Flow Rates (litres per minute)

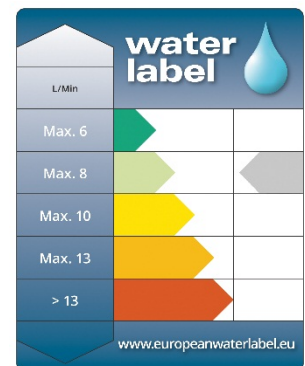
System Pressure	0.1bar	0.2bar	0.5bar	1.0bar	2.0bar	3.0bar	5.0bar
With Flow Regulators	---	---	---	6.7	7.2	7.5	7.8
Without Flow Regulators	5.59	10	12.49	17.66	24.98	30.59	39.5

Compliance / Approvals

WRAS Approval No:	1403029
TMV2 Approval No:	BC1272/1013
TMV2 Designations:	HP-SE and LP-S

Technical Advice: For further information please call 0844 7016273 or email customer@bristan.com

Guarantee: 5 years covering manufacturing faults.



Bristan, Birch Coppice Business Park, Dordon, Tamworth, B78 1SG
 Telephone: 0844 701 6274 Facsimile: 0844 701 6275
 Web Site: www.bristan.com Email: enquire@bristan.com

